

DIVIDER ATTACHMENT FOR MOWERS

Filed June 16, 1950

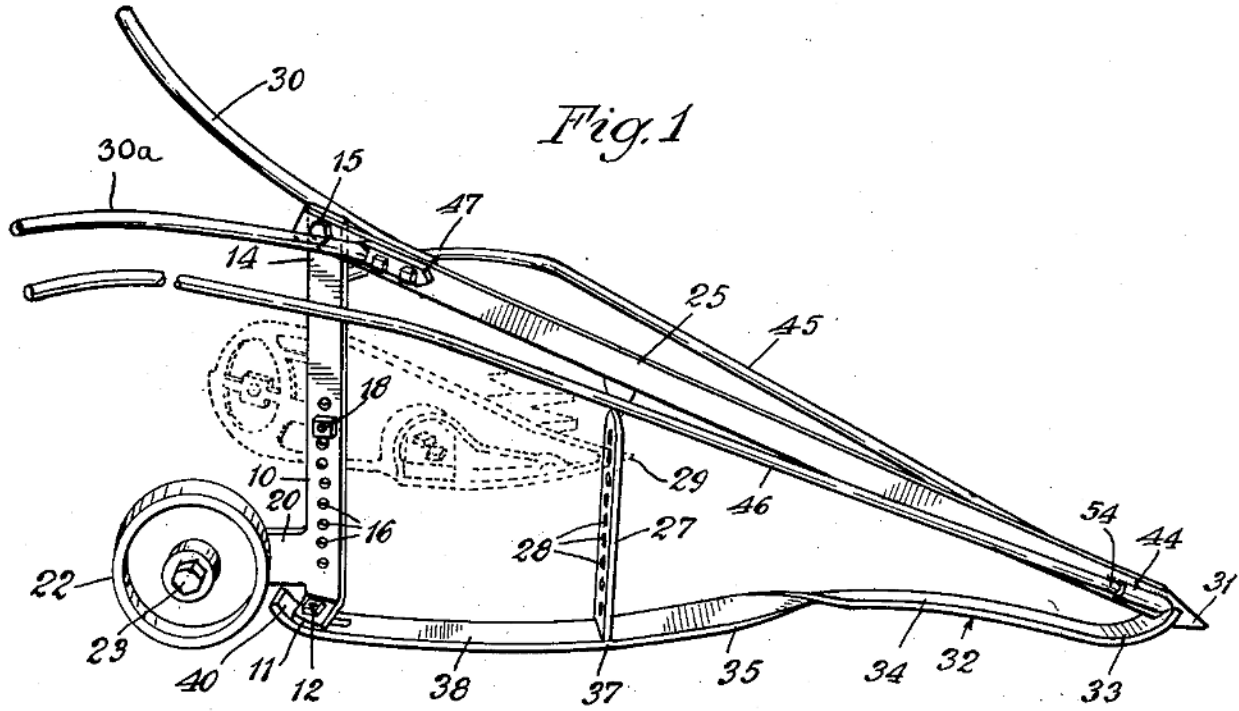


Fig. 1

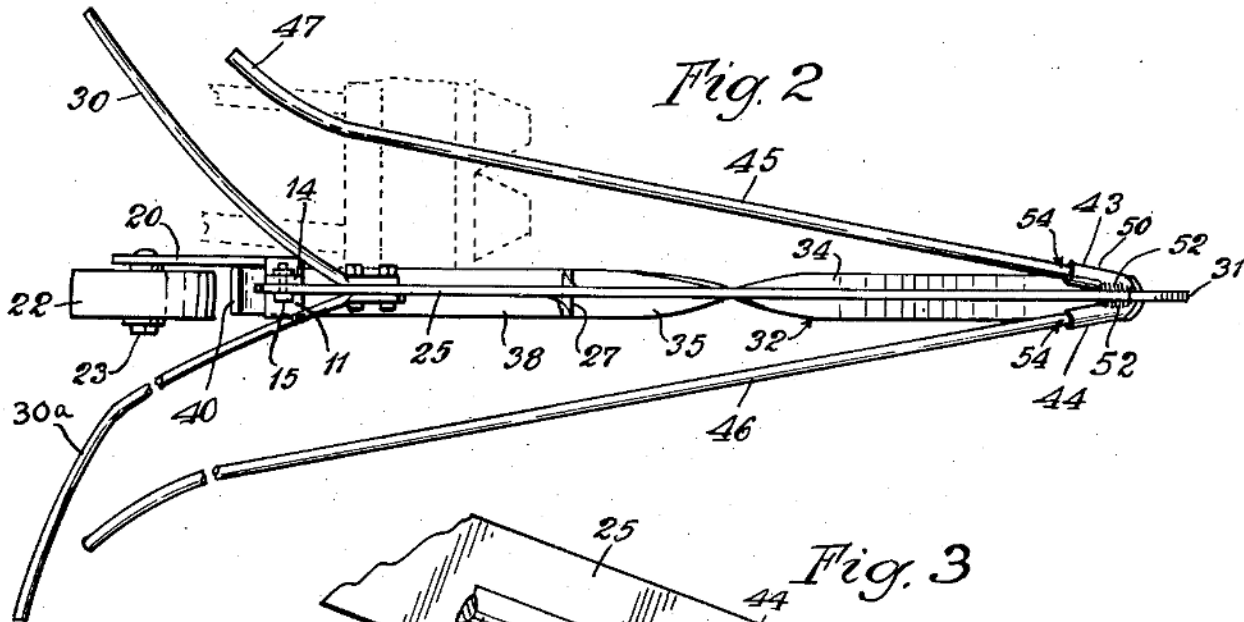


Fig. 2

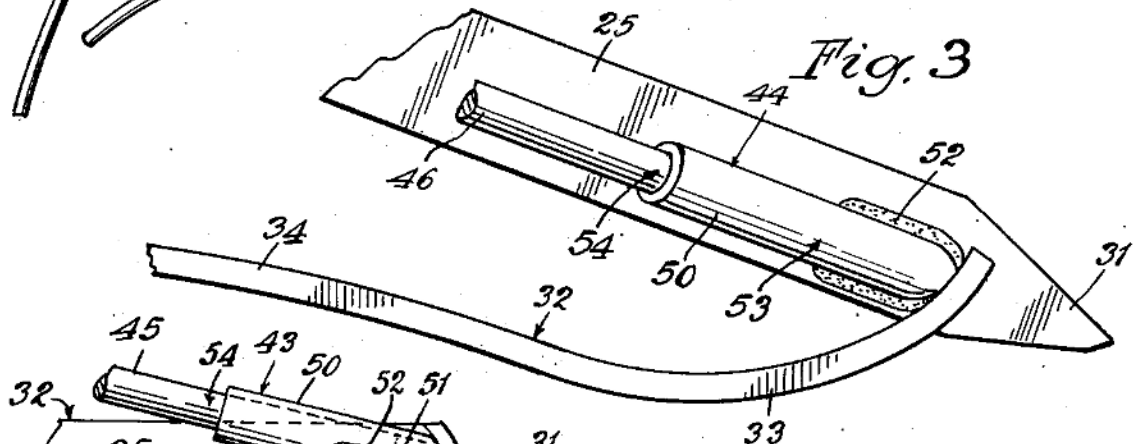


Fig. 3

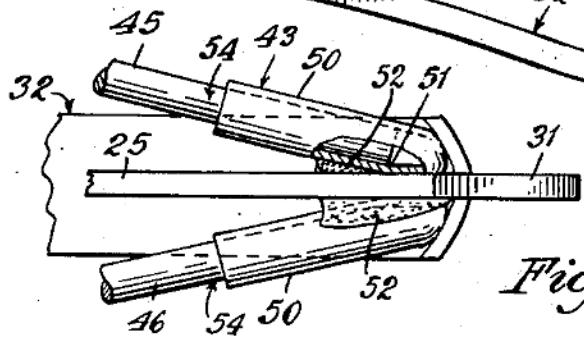


Fig. 4

Inventor
William Gaterman, Sr.

by Robert L. Kalin
Attorney