

ADJUSTABLE WINDROW RECEIVING AND PLACING DEVICE

Filed Dec. 29, 1943

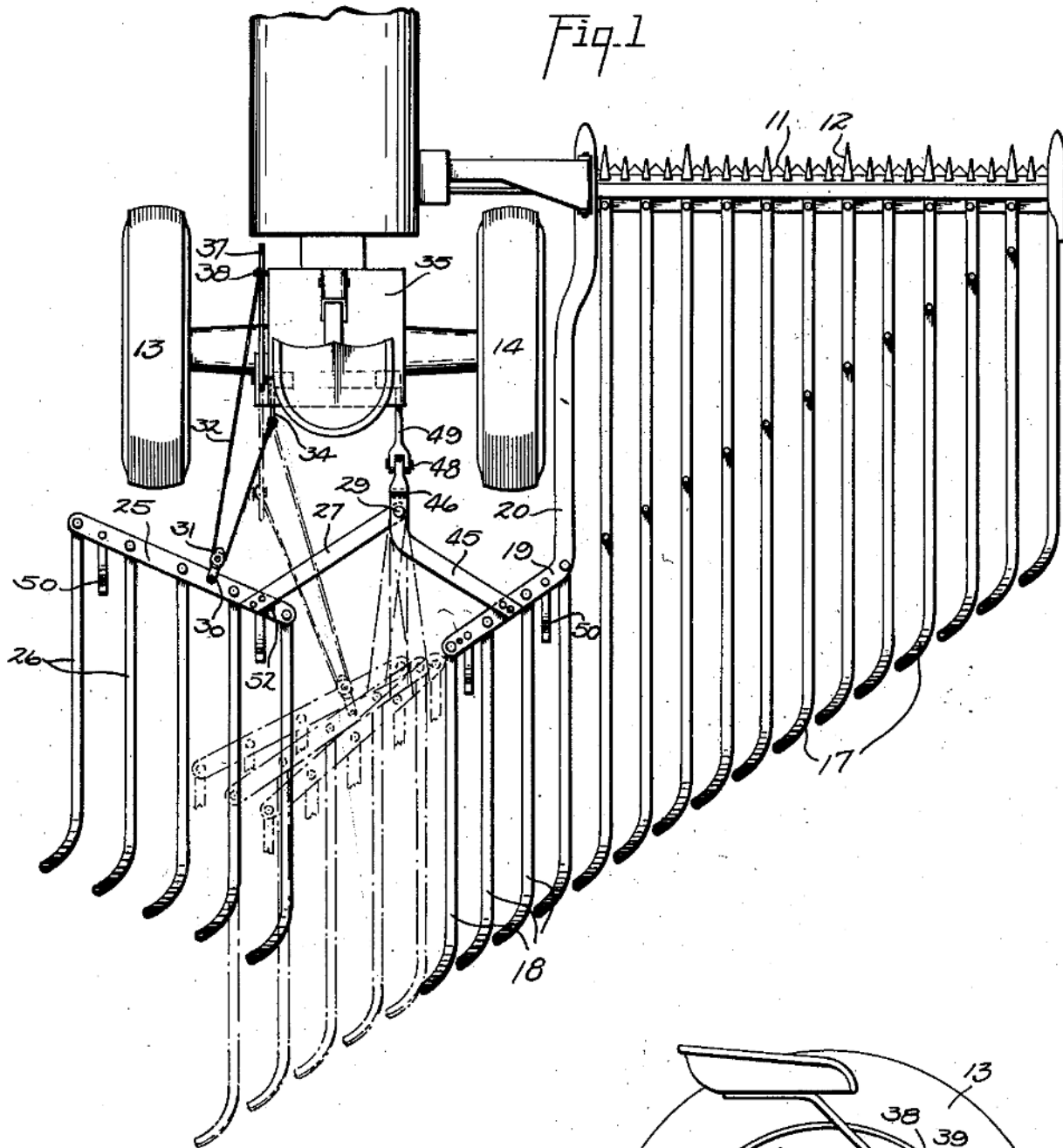
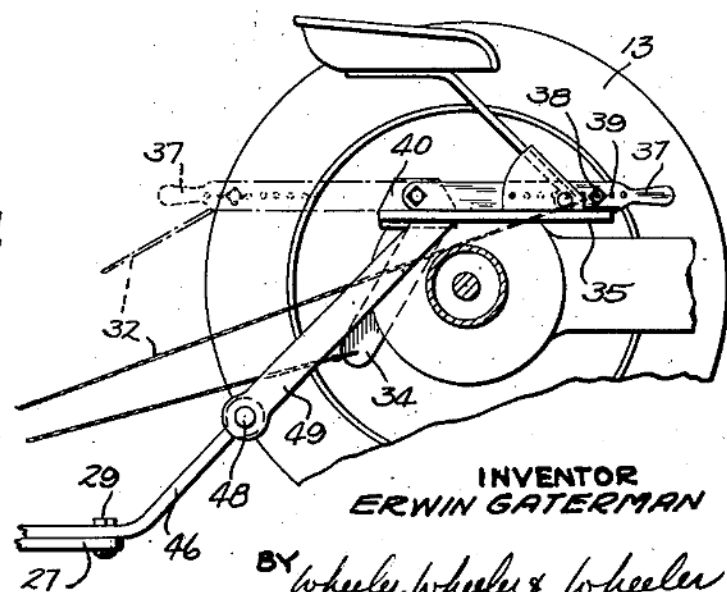


Fig. 1

Fig. 2



INVENTOR
ERWIN GATERMAN

BY *Wheeler, Wheeler & Wheeler*
ATTORNEYS