

W. GATERMAN.

ATTACHMENT FOR FINGER BARS OF MOWERS OR HARVESTERS.

APPLICATION FILED MAR. 28, 1904.

Fig. 1.

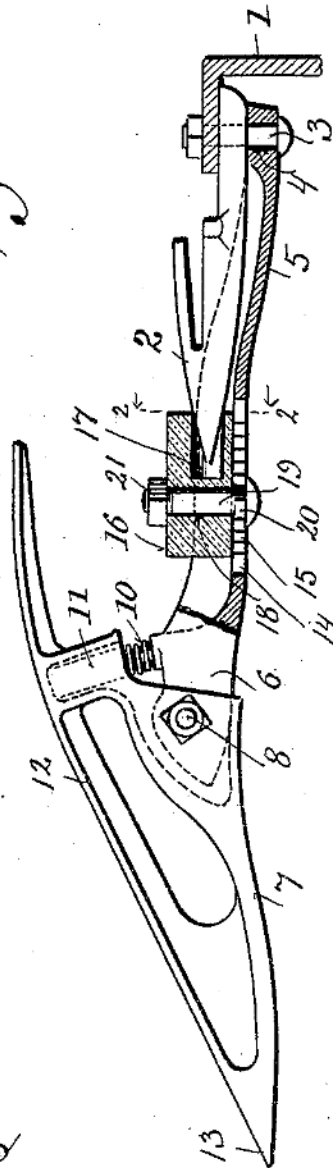


Fig. 2.

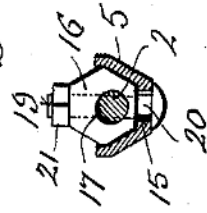


Fig. 3.

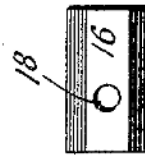
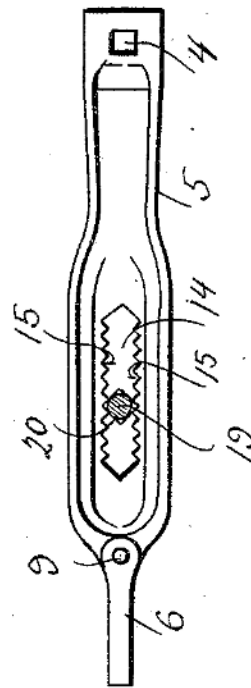


Fig. 4.



Witnesses
 Geo W Young
 R. J. Bausch

Inventor
 William Gaterman
 By H. G. Underwood